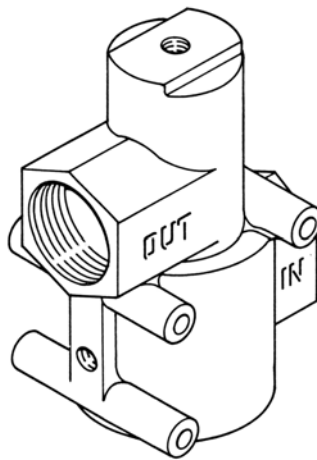


ILLUSTRATED PARTS BREAKDOWN



TURBO VALVE

(Pneumatically Controlled)

TOP ASSEMBLY PART NUMBERS COVERED IN THIS PUBLICATION

| PART NUMBER | IN PORT | OUT PORT | O-RINGS | OVERHAUL KIT |
|---------------------|----------------|-----------------|----------------|---------------------|
| RLVA-25683-001-1 | 1 ¼" | 1 ¼" | Buna-N | 2-26119-001 |
| RLVA-25683-001-2 | 1 ¼" | 1 ¼" | Viton | 2-26119-002 |
| RLVA-25683-001-1-01 | 1 ½" | 1 ½" | Buna-N | 2-26119-001 |
| RLVA-25683-001-2-01 | 1 ½" | 1 ½" | Viton | 2-26119-002 |

| KEY NO. | DESCRIPTION | PART NUMBER |
|----------------|---------------------------------|--------------------|
| 1 | Housing, Relay Valve (1 ¼" NPT) | 2-25764 |
| 1 | Housing, Relay Valve (1 ½" NPT) | 2-25764-001 |
| 2 | O-Ring, Buna - N | 9-90001-221 |
| 2 | O-Ring, Viton | 9-90002-221 |
| 3 | O-Ring, Buna - N | 9-90031-324 |
| 3 | O-Ring, Viton | 9-90030-324 |
| 4 | Piston | 2-25694 |
| 5 | Dampener, Shock | 2-25107 |
| 6 | Cap, O-Ring | 2-25106 |
| 7 | Spring, Compression | 9-90435 |
| 8 | O-Ring, Buna - N | 9-90001-218 |
| 8 | O-Ring, Viton | 9-90002-218 |
| 9 | End Cap | 2-25693 |
| 10 | O-Ring, Buna - N | 9-90001-035 |
| 10 | O-Ring, Viton | 9-90002-035 |
| 11 | Ring, Retaining | 9-92001-016 |

TDI TURBOVALVE™
FROM TECH DEVELOPMENT INC.

