

# Sure-Flex® Plus Coupling Flange Types J, S, SC, B, C

Installation Instructions

P-7888-TBW



**▲ WARNING** Lock out / tag out the power source before proceeding to avoid unexpected starts. Failure to observe these precautions could result in bodily injury.

**▲ WARNING** Coupling sleeves may be thrown from the assembly with substantial force if subjected to a severe shock load.

**▲ CAUTION** Check operating speed against maximum RPM value in Table 1.

**▲ CAUTION** Rubber (EPDM / Neoprene) and Hytrel sleeves have different ratings. Do not use rubber and Hytrel sleeves interchangeably or the sleeve will fail prematurely.

For a basic installation overview, scan the QR code below:



Scan to Watch  
Installation Video  
or visit:  
[www.TBWoods.com/SureFlexPlus](http://www.TBWoods.com/SureFlexPlus)

Further component information available:

Specification sheets, 3D models  
[ecatalog.TBWoods.com](http://ecatalog.TBWoods.com)

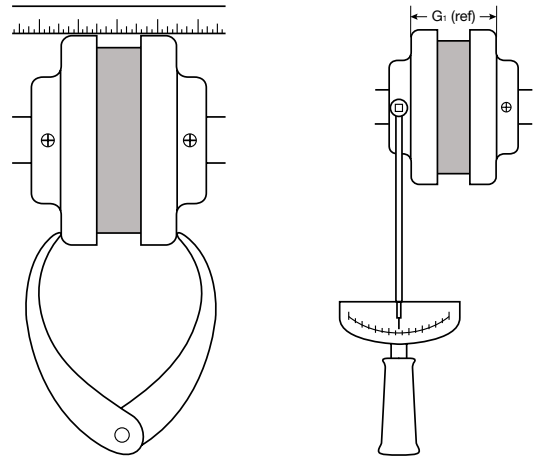
Coupling Selection Program  
[www.TBWoods.com/Select](http://www.TBWoods.com/Select)

## Installation / Alignment

### Installation / Alignment Tools

- Hex key set
  - [SC Spacer coupling: Socket set]
  - Torque wrench
  - Straight-edge
  - Caliper
  - Feeler gauge set
1. Inspect all coupling components and remove any protective coatings or lubricants from bores, mating surfaces and fasteners. Remove any existing burrs, etc. from the shafts. (If using a two-piece E or N sleeve, do not install the wire ring at this time.)
  2. SC Spacer couplings: using a torque wrench, bolt hubs to flanges to values in Table 2. This flange/hub combination will be referred to as “flange” in these instructions.

3. Slide one flange onto each shaft using keys where required. (When using Type B flanges, follow the instructions furnished with the Sure Grip bushings.)



4. Position the flanges on the shafts to approximately achieve the  $G_1$  dimension shown in Table 1, with an equal length of shaft extending into each flange. Note: minimum shaft engagement is  $0.85 * \text{shaft diameter}$ . Tighten set screw(s) of one flange to values in Table 2 using a torque wrench.
5. Slide back the unfastened flange and install the sleeve. The sleeve should be seated against both flanges but not compressed. When using a two-piece sleeve, do not install the wire ring yet but let it hang loosely in the groove adjacent to the teeth. Tighten set screw(s) of the second flange to values in Table 2 using a torque wrench.
6. Parallel Alignment: Without rotating the coupling, run a straight-edge around the outside of the coupling flanges – see Figure 1. Find the maximum offset with feeler gauges; this measurement must not exceed the figure shown under “Parallel” in Table 1. If necessary, realign the shafts.
7. Angular Alignment: Without rotating the coupling, run a caliper around the outside of the flange faces just inboard of the OD – see Figure 1. Set the caliper to the widest point. Find the narrowest point with the caliper and feeler gauges; this measurement must not exceed the figure given under “Angular” in Table 1. If a correction is necessary, recheck parallel alignment.

8. Tighten motor and driven equipment fasteners to manufacturer specifications; recheck parallel and angular alignment.
9. When parallel and angular alignment values are within service ratings, verify that all set screws and other fasteners are tightened to values in Table 2. Recheck parallel and angular alignment after tightening.
10. If the coupling uses a two-piece sleeve with the wire ring, move the ring into its groove in the center of the sleeve. If necessary, use soapy water and lever the ring with a wrench or blunt screwdriver.
11. Install coupling guard per applicable safety regulations.
12. Periodically check alignment, as settling can change equipment position.

**Table 1 - Maximum RPM and Allowable Misalignment**

Sleeve Size	Max RPM	G <sub>1</sub> (ref)		Type JE, JN, JES, JNS, E, N				Type H, HS, U*			
				Parallel		Angular		Parallel		Angular	
		in	mm	in	mm	in	mm	in	mm	in	mm
3	9200	1.2	30	0.010	0.25	0.035	0.89	-	-	-	-
4	7600	1.5	38	0.010	0.25	0.043	1.09	-	-	-	-
5	7600	1.9	49	0.015	0.38	0.056	1.42	-	-	-	-
6	6000	2.4	60	0.015	0.38	0.070	1.78	0.010	0.25	0.016	0.41
7	5250	2.6	65	0.020	0.51	0.081	2.06	0.012	0.31	0.020	0.51
8	4500	2.9	75	0.020	0.51	0.094	2.39	0.015	0.38	0.025	0.64
9	3750	3.5	89	0.025	0.64	0.109	2.80	0.017	0.43	0.028	0.71
10	3600	4.1	103	0.025	0.64	0.128	3.21	0.020	0.51	0.032	0.81
11	3600	4.9	124	0.032	0.81	0.151	3.89	0.022	0.56	0.037	0.94
12	2800	5.7	119	0.032	0.81	0.175	4.44	0.025	0.64	0.042	1.07
13	2400	6.6	170	0.040	1.02	0.195	4.95	0.030	0.76	0.050	1.27
14	2200	7.8	197	0.045	1.14	0.242	6.15	0.035	0.89	0.060	1.52
16	1500	10.2	260	0.062	1.58	0.330	7.38	-	-	-	-

\*H and HS sleeves should not be used as replacements for EPDM or Neoprene Sleeves

Note: When using a VFD with a centrifugal pump or fan, reduce allowable parallel and angular alignment values by half

**Table 2 - Fastener Torque Values**

Size	Type J		Type S		Type SC*				Type B		Type C			
	Set Screws		Set Screws		Cap Screws Flange to Hub		Set Screws		Cap Screws		Clamping Screws		Set Screws	
	ft-lbs	Nm	ft-lbs	Nm	ft-lbs	Nm	ft-lbs	Nm	ft-lbs	Nm	ft-lbs	Nm	ft-lbs	Nm
3	3	4	-	-	-	-	-	-	-	-	-	-	-	-
4	3	4	-	-	5.5**	8**	7	10	-	-	-	-	-	-
5	7	10	7	10	4	6	13	18	-	-	-	-	-	-
6	13	18	13	18	9	12	13	18	5	7	15	21	13	18
7	-	-	13	18	9	12	13	18	5	7	30	41	13	18
8	-	-	23	31	18	24	23	31	9	12	55	75	13	18
9	-	-	23	31	31	42	23	31	9	12	55	75	13	18
10	-	-	23	31	50	68	50	68	15	20	100	136	13	18
11	-	-	23	31	75	102	50	68	30	41	100	136	13	18
12	-	-	50	68	150	203	100	136	60	81	200	271	13	18
13	-	-	100	136	150	203	165	226	75	102	-	-	-	-
14	-	-	100	136	150	203	165	226	75	102	-	-	-	-
16	-	-	100	136	-	-	-	-	135	183	-	-	-	-

\* Torque values apply to hub size when different than flange size

\*\* Values for socket head clamping screw

All Customer Service phone numbers shown in bold

## Belted Drives and Sheaves

### TB Wood's

*Belted Drives*

Chambersburg, PA - USA  
1-888-829-6637 – Press #5

*For application assistance:*  
1-888-829-6637 – Press #7

## Couplings

### Ameridrives Couplings

*Mill Spindles, Ameriflex, Ameridisc*

Erie, PA - USA  
1-814-480-5000

*Gear Couplings*

San Marcos, TX - USA  
1-800-458-0887

### Ameridrives Power Transmission

*Universal Joints, Drive Shafts, Mill Gear Couplings*

Green Bay, WI - USA  
1-920-593-2444

### Bibby Turboflex

*Disc, Gear, Grid Couplings, Overload Clutches*

Dewsbury, England  
+44 (0) 1924 460801

Boksburg, South Africa  
+27(0) 11 918 4270

### Guardian Couplings

*Engineered Flywheel Couplings, Engine Housings and Pump Mounts, Flexible Shaft Couplings*

Michigan City, IN - USA  
1-219-874-5248

### Huco Dynatork

*Precision Couplings and Air Motors*

Hertford, England  
+44 (0) 1992 501900

Chambersburg, PA - USA  
1-888-829-6637

## Couplings Cont.

### Lamiflex Couplings

*Flexible Couplings, Bearing Isolators, and Coupling Guards*

Cotia, SP - Brasil  
+55 (11) 4615-6300

### TB Wood's

*Elastomeric Couplings*

Chambersburg, PA - USA  
1-888-829-6637 – Press #5

*For application assistance:*  
1-888-829-6637 – Press #7

*General Purpose Disc Couplings*

San Marcos, TX - USA  
1-888-449-9439

## Electromagnetic Clutches and Brakes

### Inertia Dynamics

*Spring Set Brakes; Power On and Wrap Spring Clutch/Brakes*

New Hartford, CT - USA  
1-800-800-6445

### Matrix International

*Electromagnetic Clutches and Brakes, Pressure Operated Clutches and Brakes*

Brechin, Scotland  
+44 (0) 1356 602000

New Hartford, CT - USA  
1-800-825-6544

### Warner Electric

*Electromagnetic Clutches and Brakes*

New Hartford, CT - USA  
1-800-825-6544

*For application assistance:*  
1-800-825-9050

Saint Barthélemy d'Anjou, France  
+33 (0)2 41 21 24 24

*Precision Electric Coils and Electromagnetic Clutches and Brakes*

Columbia City, IN - USA  
1-260-244-6183

## Engineered Bearing Assemblies

### Kilian Manufacturing

*Engineered Bearing Assemblies*

Syracuse, NY - USA  
1-315-432-0700

## Gearing

### Bauer Gear Motor

*Gearred Motors*

Esslingen, Germany  
+49 (711) 3518-0

Somerset, NJ - USA  
1-732-469-8770

### Boston Gear

*Enclosed and Open Gearing, Electrical and Mechanical P.T. Components*

Charlotte, NC - USA  
1-800-825-6544

*For application assistance:*  
1-800-816-5608

### Nuttall Gear and Delroyd Worm Gear

*Worm Gear and Helical Speed Reducers*

Niagara Falls, NY - USA  
1-716-298-4100

## Heavy Duty Clutches and Brakes

### Industrial Clutch

*Pneumatic and Oil Immersed Clutches and Brakes*

Waukesha, WI - USA  
1-262-547-3357

### Svendborg Brakes

*Industrial Brakes and Brake Systems*

Vejstrup, Denmark  
+45 63 255 255

### Twiflex Limited

*Caliper Brakes and Thrusters*

Wichita Falls, TX - USA  
1-844-723-3483

Twickenham, England  
+44 (0) 20 8894 1161

## Heavy Duty Clutches and Brakes Cont.

### Wichita Clutch

*Pneumatic Clutches and Brakes*

Wichita Falls, TX - USA  
1-800-964-3262

Bedford, England  
+44 (0) 1234 350311

## Linear Products

### Warner Linear

*Linear Actuators*

Belvidere, IL - USA  
1-800-825-6544

*For application assistance:*  
1-800-825-9050

Saint Barthélemy d'Anjou, France  
+33 (0)2 41 21 24 24

## Overrunning Clutches

### Formsprag Clutch

*Overrunning Clutches and Holdbacks*

Warren, MI - USA  
1-800-348-0881 – Press #1

*For application assistance:*  
1-800-348-0881 – Press #2

### Marland Clutch

*Roller Ramp and Sprag Type Overrunning Clutches and Backstops*

South Beloit, IL - USA  
1-800-216-3515

### Stieber Clutch

*Overrunning Clutches and Holdbacks*

Heidelberg, Germany  
+49 (0) 6221-30470

For information concerning our sales offices in Asia Pacific check our website [www.altramotion.com.cn](http://www.altramotion.com.cn)



[www.tbwoods.com](http://www.tbwoods.com)

2000 Clovis Barker Road  
San Marcos, TX 78666  
512-353-4000