

Spring Set Brakes SFB Series



PINTSCH BUBENZER
is certified according to
DIN EN ISO 9001:2008



Reliable



High Performance



Robust



Easy Maintenance



Compact



Tried and Trusted

Description SFB Series



Main Features

Spring applied safety brake
Electromechanically released
Protection-class IP67
Double wear reserve by single air gap adjustment
High work capacity
High wear resistance because of high abrasion resistance
Functional without cover
Emergency release screws

Applications

Gantry, trolley and hoisting applications
Electrical drives for ship winches and deck machinery
Jack up systems at offshore systems
Dynamic and static use at general industrial applications

Certificates

ABS, DNV, LR, GL, RMROS, BV

Options

Special brake torque:
Lower brake torque = type SFB
Higher brake torque = type SFB-SH
Holding brake torques available on request
Micro- or proximity switches: <ul style="list-style-type: none">• Monitoring the function on/off• Maximum air gap (wear-monitoring)
Lateral junction box
Tacho preparation with all mounting parts
Cover bore
Shaft sealing
Special voltage
Anti condensation heater
Radial cable outlet
Special flange

Electrical equipment

One-way, bridge and switching rectifier
Protective element
Brake control unit = BCU 2001
Brake control and monitoring system = BCMS-4



Please Note

We supply a detailed operating manual with every order. Nevertheless, we would point out that brakes are only as safe as the servicing and maintenance performed while they are in operation. The guarantee for the correct functioning of our brakes is only valid if the user adheres to the German DIN standard 15434 part 2 (drum and disc brakes, servicing and maintenance in operation), or to comparable standards in his own country.



PINTSCH BUBENZER Service

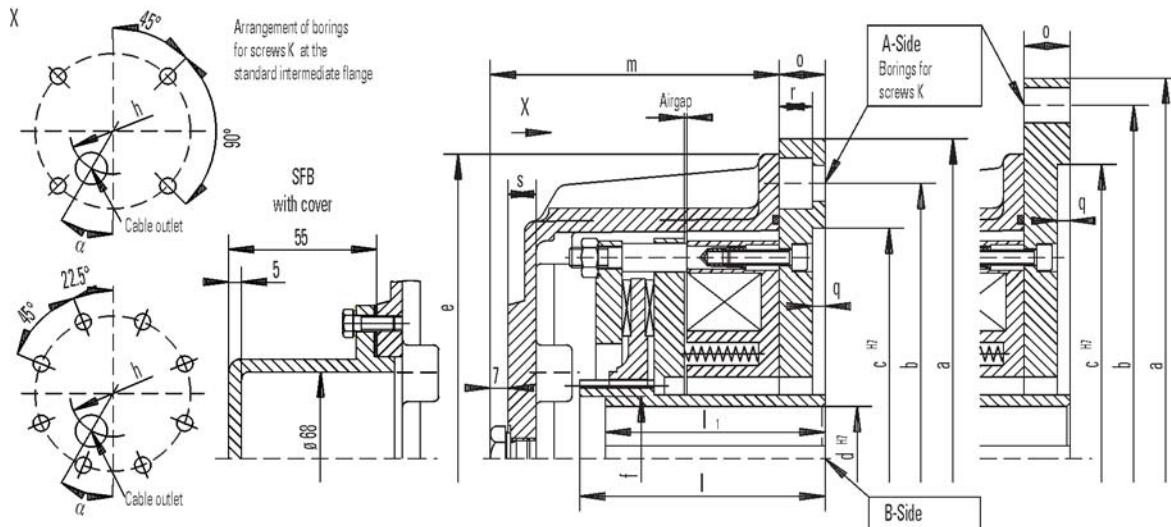
This includes the verification of the brake selection, if required. A detailed questionnaire is provided for this purpose. Installation and commissioning on-site by PINTSCH BUBENZER service engineers is possible. Drawings as DWG/DXF files for your engineering department are available upon request.

Spring Set Brake SFB

Electromagnetic Two Disc, Spring Set Brake



Rev. 05-08



Keyways for keys acc. to DIN6885 B1.1, width accuracy P9. Protection IP67

Alterations reserved without notice

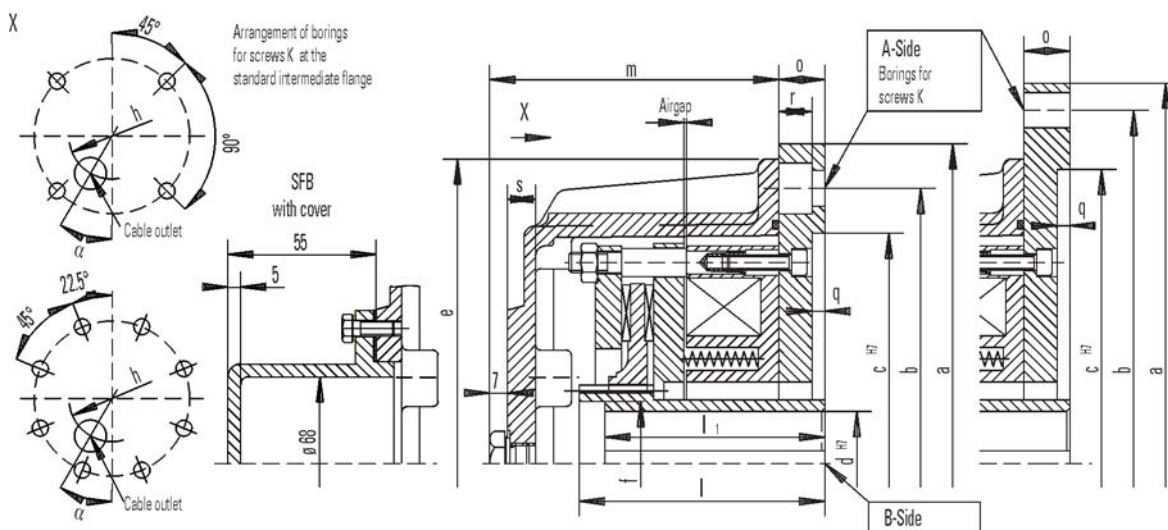
Brake size		SFB 6.3	SFB 10	SFB 16	SFB 25	SFB 40	SFB 63	SFB 100	SFB 160	SFB 250			
Brake torque M2 dynamic acc. to DIN VDE 0580	Nm	63	100	160	250	400	630	1000	1600	2500			
		54	80	130	210	330	520	830	1300	2100			
		45	63	100	180	260	400	660	1050	1650			
Mass moment of inertia	kgm ²	0.0017	0.0037	0.0048	0.0068	0.0175	0.036	0.050	0.128	0.140			
Mass (weight)	kg	19	28	42	55	74	106	168	242	306			
max. speed	min ⁻¹	6000	6000	6000	5500	4700	4000	3600	3200	2800			
Coil b. 20° C	Nominal voltage	V DC	110	110	110	110	110	110	110	110			
	Nominal power	W	99	128	158	196	220	307	344	435			
	Nominal current	A	0.90	1.16	1.44	1.78	2.0	2.79	3.13	3.95			
Air gap, brake OFF	min. mm	0.3	0.3	0.3	0.4	0.4	0.4	0.6	0.4	0.4			
	max. mm	0.9	1.2	1.2	1.3	1.4	1.8	1.8	2.3	2.5			
Diameter mm	B-Side	d Rough boring	26	26	36	36	36	36	36	46	46		
		d ^{H7} Preferential boring	28	28	38	38	48	60	60	65	65		
			32	32	42	42	55	65	65	70	70		
			38	38	48	48	60	75	75	75	75		
					55	55				80	80		
d ^{H7} maximal	40	40	55	55	60	75	75	110	110				
Length mm	e	238	260	280	318	400	440	446	540	556			
	f						95	95	128	128			
	h	150	180	202	214	244	292	330	394	440			
	l	96	96	117	117	142	148	148	191	191			
	l ¹	96	96	117	117	142	142	142	171	171			
	m	115	118	137	143	169	171	183	211	232			
s	11	11	11	12	14	15	15	15	15				
A	α°	15	15	30	22.5	30	30	30	30	45			
Suitable standard Intermediate flange		A250	A300	A300-1	A350	A400-1	A450-1	A450-1	A550-1	A660			
		A300	A350	A350	A400	A450	A550	A550	A660	A800			
				A400	A450	A550	A660	A660	A800				
				A450									
Dimensions of standard intermediate flanges													
Standard intermediate flange		A250	A300	A300-1	A350	A400	A400-1	A450	A450-1	A550	A550-1	A660	A800
Diameter mm	a	250	300	300	350	400	400	450	450	550	550	660	800
	b	215	265	265	300	350	350	400	400	500	500	600	740
	c ^{H7}	180	230	230	250	300	300	350	350	450	450	550	680
Length mm	o	18	18	18	20	22	22	24	24	24	24	30	30
	q	5	5	5	6	6	6	6	6	6	6	7	7
	r	13		13			17.5		17.5		17.5		
	Screws k	4xM12	4xM12	4xM12	4xM16	4xM16	4xM16	4xM12	8xM16	8xM16	8xM16	8xM20	8xM20

Spring Set Brake SFB

Electromagnetic Two Disc, Spring Set Brake



Rev. 05-08



Brake size		SFB 400	SFB 630	SFB 1000	
Brake torque M2 dynamic acc. to DIN VDE 0580	Nm	4000	6300	10000	
		3350	5250	8500	
		2650	4200	7000	
Mass moment of inertia	kgm ²	0.325	0.375	1.007	
Mass (weight)	kg	357	500	750	
max. speed	min ⁻¹	2500	2200	2000	
Coil b. 20° C	Nominal voltage	V DC	110	110	110
	Nominal power	W	553	671	980
	Nominal current	A	5.03	6.10	8.91
Air gap, brake OFF		min. mm	0.4	0.7	0.7
		max. mm	2.5	2.8	3.1
Diameter mm	B-Side	d Rough boring	46	58	68
		d ^{H7} Preferential boring	65	100	125
			70		
			75		
			80		
			90		
d ^{H7} maximal	110	125	140		
Length mm	e	660	700	795	
	f	128	140	155	
	h	520	570	620	
	l	191	237	282	
	l ¹	171	210	255	
	m	272	310	360	
A	α°		30	30	30
Suitable standard intermediate flange		A660-1	A800	A800-1	
		A800			
Dimensions of standard intermediate flange					
Standard intermediate flange		A660-1	A800	A800-1	
Diameter mm	a	600	800	800	
	b	600	740	740	
	c ^{H7}	550	680	680	
Length mm	o	30	30	30	
	q	7	7	7	
	r	21.5		21.5	
	Screws k	8xM20	8xM20	8xM20	

Keyways for keys acc. to DIN6885 Bl.1, width accuracy P9. Protection IP67

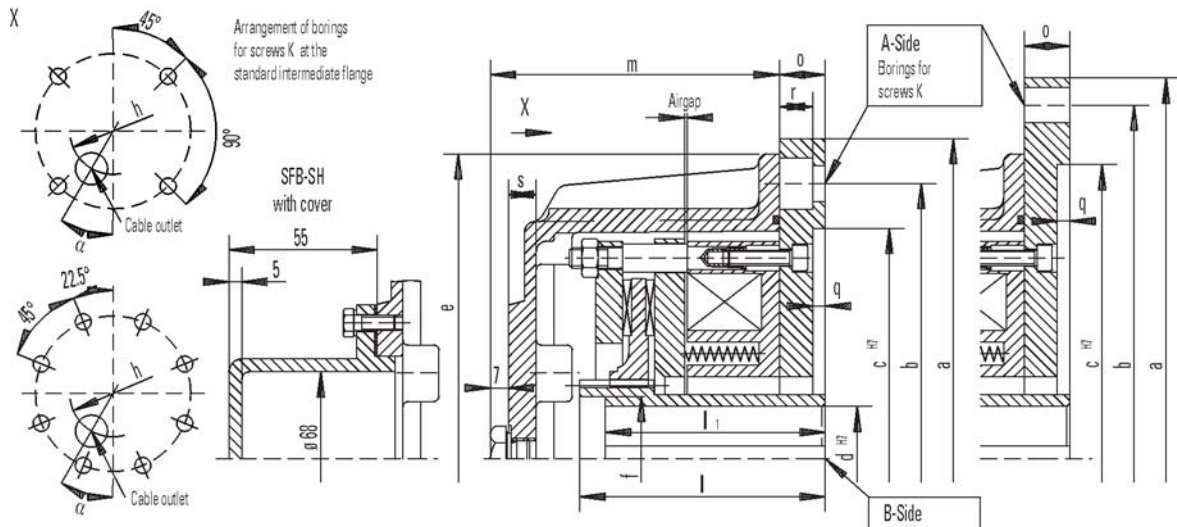
Alterations reserved without notice

Spring Set Brake SFB-SH

Electromagnetic Two Disc, Spring Set Brake
Increased brake torque



Rev. 05-08



Keyways for keys acc. to DIN6885 B1.1,
width accuracy P9. Protection IP67

Alterations reserved without notice

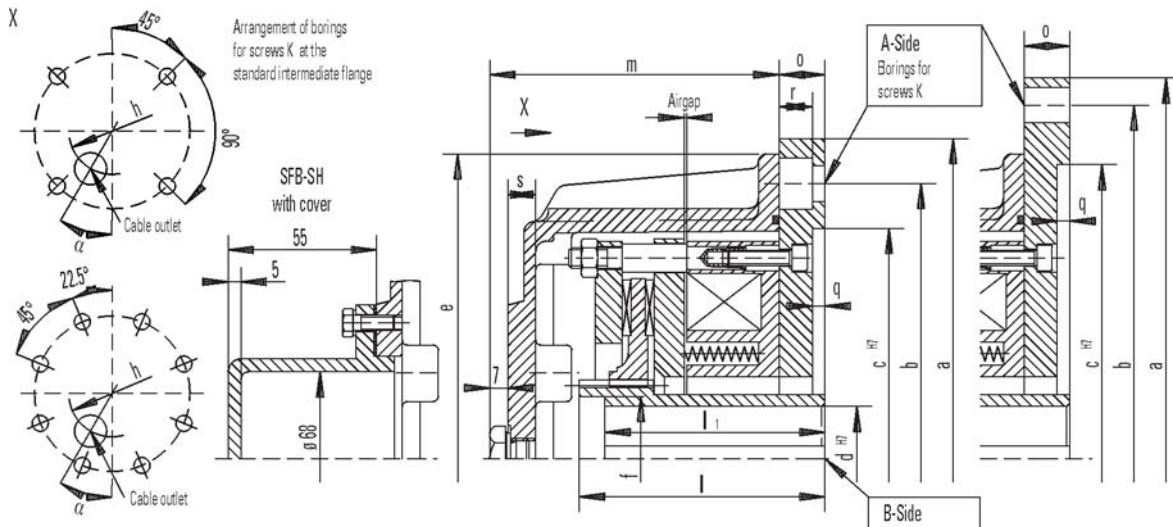
Brake size		SFB 6.3-SH	SFB 10-SH	SFB 16-SH	SFB 25-SH	SFB 40-SH	SFB 63-SH	SFB 100-SH	SFB 160-SH	SFB 250-SH			
Brake torque M2 dynamic acc. to DIN VDE 0580	Nm	80	130	210	350	550	800	1300	2100	3300			
		75	120	190	310	490	750	1200	1900	3000			
		69	110	180	275	440	690	1100	1750	2750			
Mass moment of inertia	kgm ²	0.0017	0.0037	0.0048	0.0068	0.0175	0.036	0.050	0.128	0.140			
Mass (weight)	kg	19	28	42	55	74	106	168	242	306			
max. speed	min ⁻¹	6000	6000	6000	5500	4700	4000	3600	3200	2800			
Coil b. 20° C	Nominal voltage	V DC	110	110	110	110	110	110	110	110			
	Nominal power	W	99	128	158	196	220	307	344	435			
	Nominal current	A	0.90	1.16	1.44	1.78	2.0	2.79	3.13	3.95			
Air gap, brake OFF		min. mm	0.3	0.3	0.3	0.4	0.4	0.6	0.4	0.4			
		max. mm	0.9	1.2	1.2	1.3	1.4	1.8	2.3	2.5			
Diameter mm	B-Side	d Rough boring	26	26	36	36	36	36	36	46	46		
		d ^{H7} Preferential boring	28	28	38	38	48	60	60	65	65		
			32	32	42	42	55	65	65	70	70		
			38	38	48	48	60	75	75	75	75		
					55	55				80	80		
	d ^{H7} maximal	40	40	55	55	60	75	75	110	110			
Length mm	e	238	260	280	318	400	440	446	540	556			
	f						95	95	128	128			
	h	150	180	202	214	244	292	330	394	440			
	l	96	96	117	117	142	148	148	191	191			
	l ¹	96	96	117	117	142	142	142	171	171			
	m	115	118	137	143	169	171	183	211	232			
	s	11	11	11	12	14	15	15	15	15			
A	α°	15	15	30	22.5	30	30	30	30	45			
Suitable standard intermediate flange		A250	A300	A300-1	A350	A400-1	A450-1	A450-1	A550-1	A660			
		A300	A350	A350	A400	A450	A550	A550	A660	A800			
				A400	A450	A550	A660	A660	A800				
				A450									
Dimensions of standard intermediate flange													
Standard intermediate flange		A250	A300	A300-1	A350	A400	A400-1	A450	A450-1	A550	A550-1	A660	A800
Diameter mm	a	250	300	300	350	400	400	450	450	550	550	660	800
	b	215	265	265	300	350	350	400	400	500	500	600	740
	c ^{H7}	180	230	230	250	300	300	350	350	450	450	550	680
Length mm	o	18	18	18	20	22	22	24	24	24	24	30	30
	q	5	5	5	6	6	6	6	6	6	6	7	7
	r	13		13			17.5		17.5		17.5		
	Screws k	4xM12	4xM12	4xM12	4xM16	4xM16	4xM16	8xM16	8xM16	8xM16	8xM16	8xM20	8xM20

Spring Set Brake SFB-SH

Electromagnetic Two Disc, Spring Set Brake
Increased brake torque



Rev. 05-08



Brake size		SFB 400-SH	SFB 630-SH	SFB 1000-SH	
Brake torque M2 dynamic acc. to DIN VDE 0580	Nm	5200	8000	13000	
		4800	7500		
		4400	6900		
Mass moment of inertia	kgm ²	0.325	0.375	1.007	
Mass (weight)	kg	357	500	750	
max. speed	min ⁻¹	2500	2200	2000	
Coil b. 20° C	Nominal voltage	V DC	110	110	110
	Nominal power	W	553	671	980
	Nominal current	A	5.03	6.10	8.91
Air gap, brake OFF		min. mm	0.4	0.7	0.7
		max. mm	2.5	2.8	3.1
Diameter mm	B-Side	d Rough boring	46	58	68
		d ^{H7} Preferential boring	65	100	125
			70		
			75		
			80		
			90		
d ^{H7} maximal	110	125	140		
Length mm	e	660	700	795	
	f	128	140	155	
	h	520	570	620	
	l	191	237	282	
	l ¹	171	210	255	
	m	272	310	360	
	s	15	15	15	
A	α°	30	30	30	
Suitable standard intermediate flange		A660-1	A800	A800-1	
		A800			
Dimensions of standard intermediate flange					
Standard intermediate flange		A660-1	A800	A800-1	
Diameter mm	a	600	800	800	
	b	600	740	740	
	c ^{H7}	550	680	680	
Length mm	o	30	30	30	
	q	7	7	7	
	r	21.5		21.5	
	Screws k	8xM20	8xM20	8xM20	

Keyways for keys acc. to DIN6885 Bl.1, width accuracy P9. Protection IP67

Alterations reserved without notice