

# STROBE STATUS LIGHTS



11"H X 6"W X 36"L



10"H X 4"W X 12"L

## POWER STROBE® CRANE STATUS LIGHTS

The heavy duty POWER STROBE® makes possible an overhead crane status light suitable for the day-to-day applications of steel mills. The principle of operation is simple and cost effective. The two or three light system needs only one power supply to operate the single strobe head selected. The four light system has two power supplies to operate the blue (magnet) light at the same time as one of the other strobe heads.

If you use short life fragile incandescent status lights - switch to long life vibration resistant POWER STROBE® status lights. The built-in features of the POWER STROBE® anticipates the applications of overhead cranes.

### FEATURES

- 1,000,000 Peak Candle Power Flash @ 90 FPM
- Heat resistant glass lenses mounted on a NEMA 3R box
- 10,000 hour lamp life
- Reverse polarity protection - Transient line voltage protection

**3200-2-X/X** 120 VAC two light POWER STROBE® status light  
**3200-3-X/X/X** 120 VAC three light POWER STROBE® status light  
**3200-4-X/X/X/X** 120 VAC four light POWER STROBE® status light  
**3000-2-X/X** 250 VDC two light POWER STROBE® status light  
**3000-3-X/X/X** 250 VDC three light POWER STROBE® status light  
**3000-4-X/X/X/X** 250 VDC four light POWER STROBE® status light  
**140030** Glass Lens Guard

## GENERAL PURPOSE STROBE STATUS SIGNAL

The versatile MICRO STROBE makes possible a general purpose strobe status signal that can be switched individually or simultaneously in any combination from two to five lights. Each MICRO STROBE has its own power supply.

### FEATURES

- 120 VAC @ 0.04 A, 12 thru 80 VDC @ 0.4 A, 12 VDC
- 250,000 Peak Candlepower @ 60 to 80 FPM
- Impact resistant Lexan lenses in amber, blue, clear, red or green
- Leakage current by-pass option (/TRIAC) for 120 VAC units
- Potted power supply option suggested for 120 VAC models for wet locations.
- All models of Microstrobes are potted.

### 120 VAC MODELS

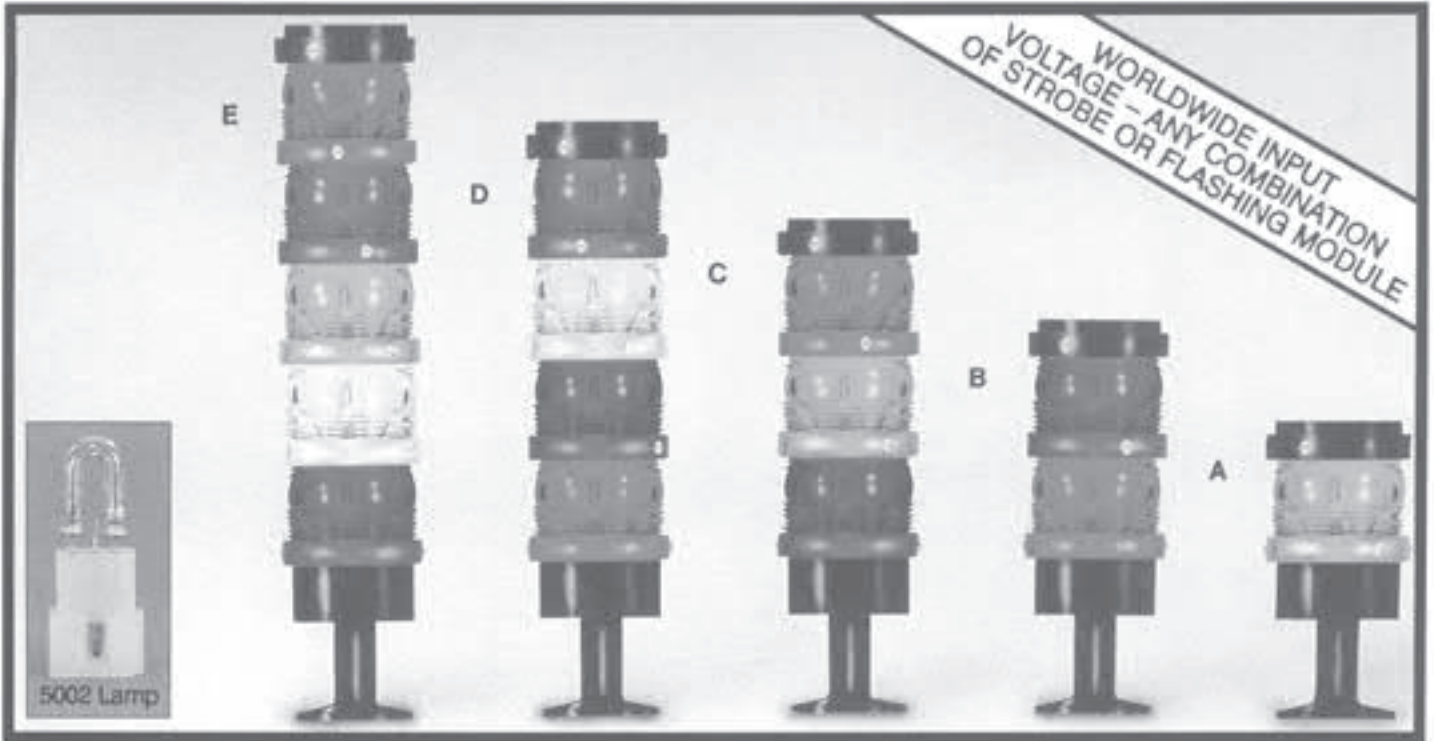
**495S-120-2-X/X**  
**495S-120-3-X/X/X**  
**495S-120-4-X/X/X/X**  
**495S-120-5-X/X/X/X/X**

### 12 - 80 VDC MODELS

**495S-1280-2-X/X**  
**495S-1280-3-X/X/X**  
**495S-1280-4-X/X/X/X**  
**495S-1280-5-X/X/X/X/X**

**/TRIAC Leakage Current By-Pass**

**Note: Specify lens colors in place of "X" in the sequence to be mounted on the NEMA 3R box from left to right. (for both the General Purpose Status Signal and the Power Strobe Crane Status light).**



The Model 440 MICROSTACK features multi-color and multi-format optical signalling using strobes and/or steady burning or flashing NEOBE lamps in any combination. NEOBE lamps are gas discharge lamps which have no filament to wear or break. All MICROSTACK modules operate over a worldwide AC input

voltage range of 85-264 VAC 50/60 Hz. They all use the same type of lamp and maintain a constant brightness and flash rate over the entire range. MICROSTACK modules separate at any level by removing two screws. All MICROSTACK modules are sealed with O-rings against dust and can be used outdoors.

## ORDERING INFORMATION

The Microstack can be ordered as a preassembled unit or as components or modules.

### PREASSEMBLED microstacks

Fig.	Model No.	Specify Choices
A	<b>440-1</b> One Module MICROSTACK	<b>Module Type</b> Color
B	<b>440-2</b> Two Module MICROSTACK	Steady Burn Amber
C	<b>440-3</b> Three Module MICROSTACK	Strobe Blue
D	<b>440-4</b> Four Module MICROSTACK	Flashing Clear
E	<b>440-5</b> Five Module MICROSTACK	Green
		Red

### MICROSTACK COMPONENTS

- Model No.**
- 440-BASE** Base and cover less stand
- 440-STAND** Stand for base including gasket
- 440S-X** Strobe module including lamp (specify color)
- 440SB-X** Steady burn NEOBE including lamp (specify color)
- 440FN-X** Flashing NEOBE including lamp (specify color)
- 5002** Spare lamp for NEOBE or strobe module
- 440-T16** 16" Extension Tube
- 440-T32** 32" Extension Tube

## SPECIFICATIONS

### Lamp Type 5002

### Voltage and Amperage

85-264 VAC 50/60 Hz. 7 Watts per module

### Flash Rate

60 to 80 FPM

### Size

Dia. 3.32"/84 mm

### Height

440-1	7.7" (196 mm)
440-2	10.0" (254 mm)
440-3	12.3" (312 mm)
440-4	14.6" (371 mm)
440-5	16.9" (429 mm)

# MICROLERT STATUS LED LIGHTS



Using the versatile MicroLert LED warning lights, it's possible to assemble a Status Light Assembly suitable for a wide variety of status monitoring applications.

A typical application is the living quarters of an Oil Platform with a MicroLert LED Status Light installed to monitor gas detection equipment. One assembly does it all from a flashing red light to a steady burn green light with other colors in between either flashing or steady burning depending on the conditions monitored.

The MicroLert LED Status Light is actually an "A-La-Carte" monitoring assembly with which the user specifies the model

number and location of each MicroLert mounted on the NEMA 3R box from two to five lights. For example if a three light assembly is needed, first select the NEMA 3R box, then the LED MicroLert Lights from left to right and Maxi-Signal will assemble them as specified.

Example Below: 3 Light LED MicroLert Status Light

<b>3-Box</b>	3 Light NEMA 3R pre-punched box
<b>295LF-120-R</b>	120 AC 1/2" Male Thread flashing
<b>295LF-120-G</b>	120 AC 1/2" Male Thread flashing
<b>295LS-120-A</b>	120 AC 1/2" Male Thread Steady-on

## ORDERING INFORMATION

<b>295LF-120-240</b>	120/240 AC 1/2" Male Flashing
<b>295LS-120-240</b>	120/240 AC 1/2" Male Steady Burn
<b>295LF-1280</b>	12-80 DC 1/2" Male Flashing
<b>295LS-1280</b>	12-80 DC 1/2" Male Steady Burn

<b>2-Box</b>	2 Light NEMA 3R Box
<b>3-Box</b>	3 Light NEMA 3R Box
<b>4-Box</b>	4 Light NEMA 3R Box
<b>5-Box</b>	5 Light NEMA 3R Box

Specify MicroLert Model Numbers, Lens colors and location on the NEMA 3 box from left to right.

## SPECIFICATIONS

- Tough Lexan Lens spun welded to the base to completely seal out moisture. NEMA 4X
- UL Listed with wide voltage range: 85-265 AC, 10-100 DC, DC models also include 16-36 AC.
- 5 LED colors: Red, Amber, Blue, Green or White.
- Steady burn or flashing.
- 24 DC = 198 mA, 120 AC = 40 mA
- MicroLert Size: 3" diameter X 2 1/2" High.
- Nema 3R Box sizes:  
 2-Box = 4" X 4" X 12"      4-Box = 4" X 4" X 24"  
 3-Box = 4" X 4" X 12"      5-Box = 4" X 4" X 24"

# 250 DC STEADY BURN LED STATUS LIGHTS



## 250 DC OVERHEAD CRANE STATUS LIGHT

Using Heavy Duty Steady Burn LED male thread LED lights designed for 250 DC overhead cranes, it's possible to provide long life trouble free status lights for this rough application. Choose from a two light system up to four lights in any combination of Red, Green, Amber or Blue Steady Burn LEDs mounted on a NEMA 3R enclosure, completely raintight.

The 250 DC Steady Burn 1/2" Male Thread LED is available as a separate unit, just order part number **250-SB-MT** in one of the colors shown above.

Enclosure rated at NEMA 3R, completely raintight.

## SPECIFICATIONS

- 250 DC circuitry designed to withstand overvoltage conditions and excessive vibration.
- Current draw: .017 to .021 amps.
- Voltage Range: 250 to 270 DC.
- Size: 4 light NEMA 3R box = 4" X 4" X 24"  
3 light NEMA 3R box = 4" X 4" X 12"  
2 light NEMA 3R box = 4" X 4" X 12"  
250-SB-MT LED = 2 3/4" dia. X 6 3/8" high
- Ambient temperature -25C to +85C

**250-4/R/A/G/B** 4 Light 250 DC LED Status Light - R, A, G, B  
**250-3/R/A/G** 3 Light 250 DC LED Status Light, - R, A, G  
**250-2/R/G** 2 Light 250 DC LED Status Light, - R, G  
**250-SB-MT** 250 DC Steady Burn LED Light - 1/2" Male Thread.  
 Specify lens color - Red, Green, Amber or Blue.

## 250 DC STEADY BURN MEDIUM BASE LED

Replace fragile incandescent medium base bulbs with a long life vibration resistant LED Steady Burn light suitable for 250 DC overhead crane applications. Available in Red, Green, Amber or Blue lens colors.

## SPECIFICATIONS

- 250 DC circuitry designed to withstand overvoltage conditions and excessive vibration.
- Current draw: .017 to .021 amps.
- Voltage range: 250 to 270 DC.
- Size: 2 3/4" dia. X 6 3/4" high.
- Ambient temperature -25C to +85C

**250-SB-MSB** 250 DC Steady Burn Medium Base LED Light.  
 Specify Lens Color - Red, Green, Amber or Blue.

## LINTERN RETRO FIT ASSEMBLY

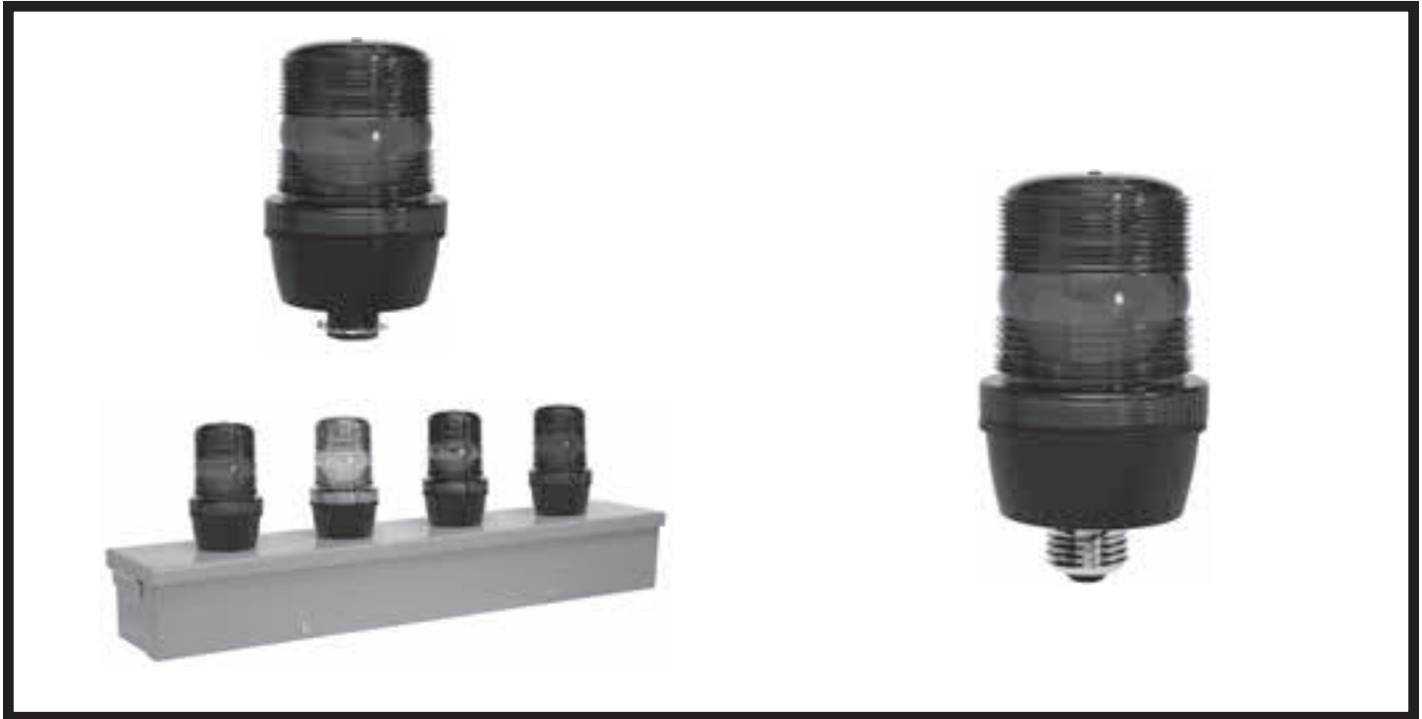
Retro fit the model 250-SB-MSB Steady Burn LED to a Lintern Incandescent Fixture as easy as 1, 2, 3:

1. Remove Lintern Lens, but keep hardware. (screws & springs)
2. Attach the Lexan Plastic Dust Barrier to the top of the aluminum O ring with existing screws & springs.
3. Screw-in the medium base LED and thats it!

The result is a new Steady Burn LED light complete with a Dust Barrier.

**250-SB-MSB-DB** 250 DC Steady Burn Medium Base LED Light including Dust Barrier. Specify Lens Color.

# 120 AC STEADY BURN LED STATUS LIGHTS



## 120 AC OVERHEAD CRANE STATUS LIGHT

Using Heavy Duty Steady Burn LED male thread LED lights designed for 120 AC overhead cranes, it's possible to provide long life trouble free status lights for this rough application. Choose from a two light system up to four lights in any combination of Red, Green, Amber or Blue Steady Burn LEDs mounted on a NEMA 3R enclosure, completely raintight.

The 120 AC Steady Burn 1/2" Male Thread LED is available as a separate unit, just order part number **120-SB-MT** in one of the colors show above. Enclosure rated at NEMA 4X, completely weatherproof.

## SPECIFICATIONS

- 120 AC circuitry designed to withstand overvoltage conditions and excessive vibration.
- Current draw: .020 amps
- Voltage Range: 120 AC to 130 AC.
- Size: 4 light NEMA 3R box = 4" X 4" X 24"  
3 light NEMA 3R box = 4" X 4" X 12"  
2 light NEMA 3R box = 4" X 4" X 12"  
120-SB-MT LED = 2 3/4" dia. X 6 3/8" high
- Ambient temperature -25C to +85C

<b>120-4/R/A/G/B</b>	4 Light 120 AC LED Status Light - R, A, G, B
<b>120-3/R/A/G</b>	3 Light 120 AC LED Status Light, - R, A, G
<b>120-2/R/G</b>	2 Light 120 AC LED Status Light, - R, G
<b>120-SB-MT</b>	120 AC Steady Burn LED Light - 1/2" Male Thread. Specify lens color - Red, Green, Amber or Blue.

## 120 AC STEADY BURN MEDIUM BASE LED

Replace fragile incandescent medium base bulbs with a long life vibration resistant LED Steady Burn light suitable for 120 AC overhead crane applications. Available in Red, Green, Amber or Blue lens colors.

## SPECIFICATIONS

- 120 AC circuitry designed to withstand overvoltage conditions and excessive vibration.
- Current draw: .020 amps
- Voltage range: 120 AC to 130 AC
- Size: 2 3/4" dia. X 6 3/4" high.
- Ambient temperature -25C to +85C

<b>120-SB-MSB</b>	120 AC Steady Burn Medium Base LED Light. Specify Lens Color - Red, Green, Amber or Blue.
-------------------	--

## LINTERN RETRO FIT ASSEMBLY

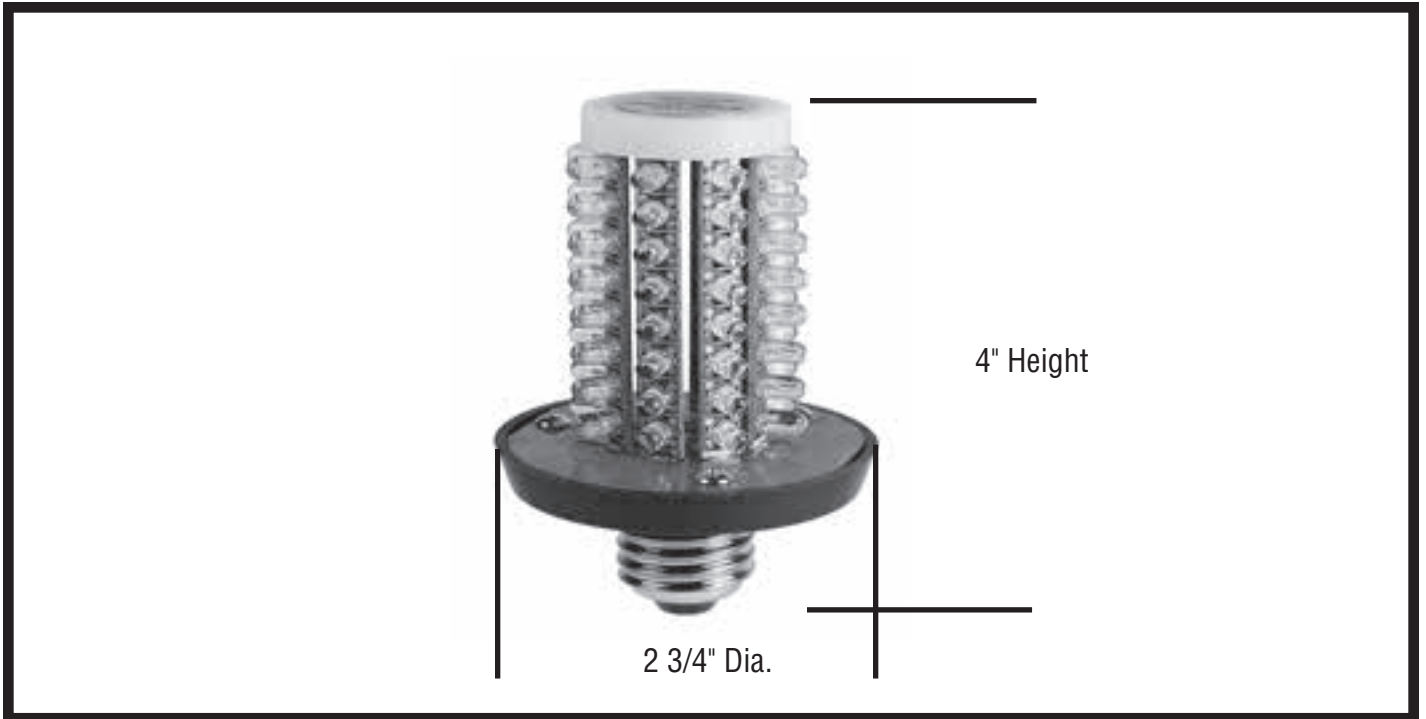
Retro fit the model 120-SB-MSB Steady Burn LED to a Lintern Incandescent Fixture as easy as 1, 2, 3:

1. Remove Lintern Lens, but keep hardware. (screws & springs)
2. Attach the Lexan Plastic Dust Barrier to the top of the aluminum O ring with existing screws & springs.
3. Screw-in the medium base LED and thats it!

The result is a new Steady Burn LED light complete with a Dust Barrier.

<b>120-SB-MSB-DB</b>	120 AC Steady Burn Medium Base LED Light including Dust Barrier. Specify Lens Color.
----------------------	--

# 120 AC & 250 DC STEADY BURN LED STATUS LIGHTS



## 250 DC OVERHEAD CRANE STATUS LIGHT

Using Heavy Duty Steady Burn LED medium base LED lights designed for 250 DC overhead cranes, it's possible to provide long life, trouble free status lights for this tough application. This rugged light source employs 64 LEDs securely mounted on plastic strips providing uniform 360 degree illumination.

Just replace your fragile incandescent lamps with this steady burn LED and you now have long life vibration resistant LED lamps.

## SPECIFICATIONS

- 250 DC circuitry designed to withstand overvoltage conditions and excessive vibration.
  - Current draw: .017 to .020 amps
  - Voltage range: 250 to 270 DC
  - Overall Size: 2 3/4" Dia. (70.5mm) X 4" H (112mm) including screw base
  - Fits into Lintern Model 900-X-1 Glowlite Fixture
  - Ambient Temperature: -25 to +85 degrees C
- **250 VDC Model includes a bridge diode to provide reliable operation regardless of polarity.**

**250-LED-MSB-W**

250 DC medium screw base white steady burn LED less Lens

## 120 AC OVERHEAD CRANE STATUS LIGHT

Using Heavy Duty Steady Burn LED medium base LED lights designed for 120 AC overhead cranes, it's possible to provide long life, trouble free status lights for this tough application. This rugged light source employs 64 LEDs securely mounted on plastic strips providing uniform 360 degree illumination.

Just replace your fragile incandescent lamps with this steady burn LED and you now have long life vibration resistant LED lamps.

## SPECIFICATIONS

- 120 AC circuitry designed to withstand overvoltage conditions and excessive vibration.
- Current draw: .020 amps
- Voltage range: 120 AC to 130 AC
- Size: 2 3/4" Dia. (70.5mm) X 4" H (112mm) including screw base
- Fits into Lintern Model 900-X-1 Glowlite Fixture
- Ambient Temperature: -25 to +85 degrees C

**120-LED-MSB-W**

120 AC medium screw base white steady burn LED less Lens