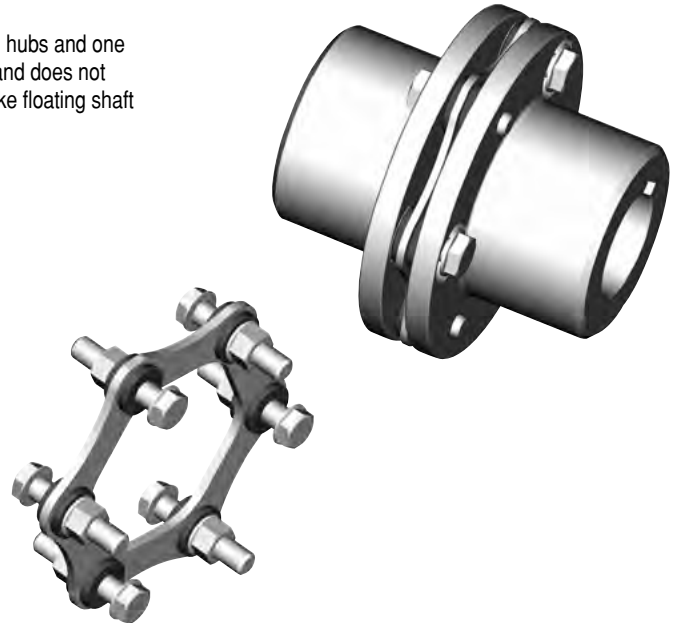


SU-6 Type Industrial Coupling

The SU Type coupling is a 6 bolt single flex plane coupling which consists of two hubs and one disc pack kit. It is only suitable for the specified axial and angular misalignment and does not accommodate parallel misalignment. It is often combined with solid shafts to make floating shaft couplings. See Page D-28 for a picture of an SXFS Type floating shaft coupling.

Features

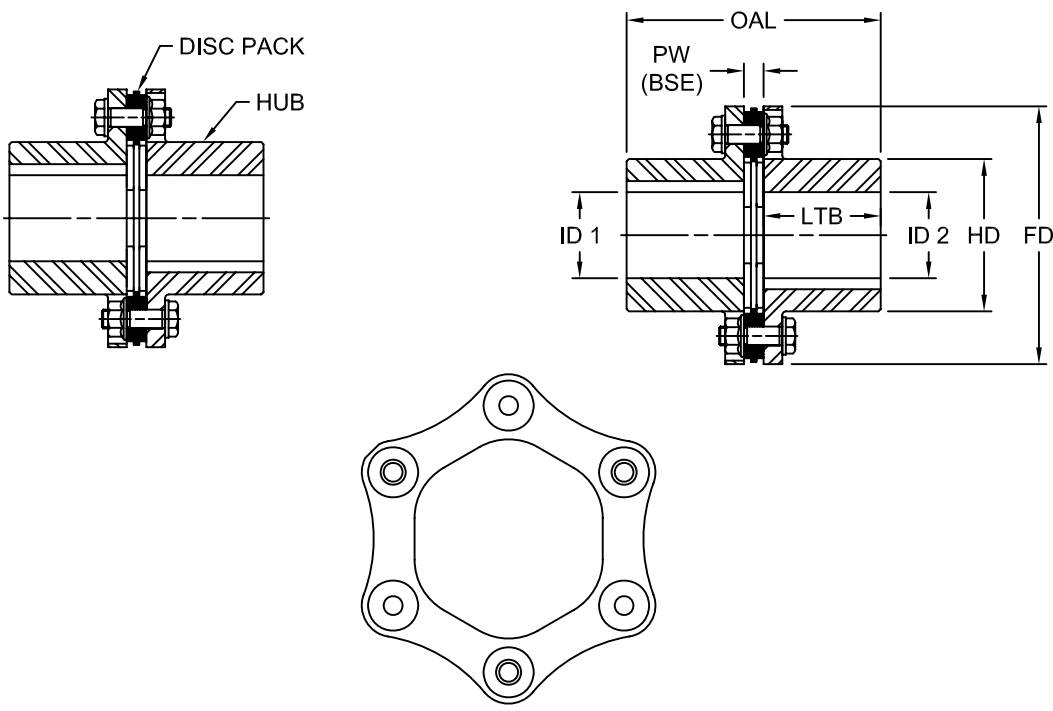
- Unitized disc pack
- Infinite life when properly aligned
- Torsionally rigid without any back lash
- No need for lubrication or maintenance
- No wearing parts and high resistance to harsh environmental conditions
- Larger sizes are available upon request



SU-6 Performance Data

Size	Nominal Torque		Peak Torque		Max Speed		ID1-ID2 Max Bore ³		Weight ⁴		Axial ⁵ Misalignment ± Δ Ka		Angular ⁶ Misalignment Max Degrees
	in-lbs	Nm	in-lbs	Nm	Unbal ¹ RPM	Bal ² RPM	in	mm	lbs	kg	in	mm	
90-6	2,100	240	4,200	480	9,100	22,700	1.50	38	3.1	1.4	0.030	0.75	1.5°
110-6	5,100	575	10,200	1 150	7,200	18,000	1.81	46	5.1	2.3	0.039	1.00	
132-6	9,700	1 100	19,500	2 200	5,840	14,600	2.38	60	8.4	3.8	0.051	1.30	
158-6	17,700	2 000	35,400	4 000	4,920	12,300	2.75	70	14.1	6.4	0.059	1.50	
185-6	29,200	3 300	58,400	6 600	4,200	10,500	3.13	80	21.8	9.9	0.071	1.80	
202-6	40,700	4 600	81,400	9 200	3,840	9,600	3.50	90	29.8	13.5	0.075	1.90	1°
228-6	62,000	7 000	123,900	14 000	3,400	8,500	3.94	100	41.9	19.0	0.083	2.10	
255-6	90,300	10 200	180,600	20 400	3,080	7,700	4.31	110	63.9	29.0	0.091	2.30	
278-6	125,700	14 200	251,400	28 400	2,800	7,000	4.88	124	81.6	37.0	0.102	2.60	
302-6	177,000	20 000	354,000	40 000	2,560	6,400	5.31	135	108.0	49.0	0.110	2.80	
325-6	221,300	25 000	442,600	50 000	2,400	6,000	5.75	145	133.4	60.5	0.126	3.20	
345-6	274,400	31 000	549,000	62 000	2,200	5,500	6.06	155	160.9	73.0	0.134	3.40	
380-6	374,400	42 300	749,000	84 600	2,040	5,100	6.69	170	211.6	96.0	0.150	3.80	
410-6	505,400	57 100	1,011,000	114 200	1,880	4,700	7.13	180	273.4	124.0	0.161	4.10	
440-6	650,500	73 500	1,301,000	147 000	1,740	4,350	7.69	195	332.9	151.0	0.173	4.40	

- Notes:
- * indicates: Operating speed must be equal or less than permissible speed.
 - 2 indicates: Couplings as manufactured can accommodate maximum speeds as listed. Higher speeds listed as 'Bal' require special balancing.
 - 3 indicates: The maximum bores shown are for cylindrical or taper shafts with keys. For splines and other bore types, contact Lovejoy Technical Support.
 - 4 indicates: Weight is given for a complete coupling with maximum bores.
 - 5 indicates: Axial misalignment is given for one disc pack.
 - 6 indicates: Angular misalignment is given for one disc pack. There is no parallel misalignment for the SU Type.



SU-6 Dimensional Data

Size	OAL		PW - BSE		LTB		ID1-ID2 Max Bore ³		FD		HD	
	in	mm	in	mm	in	mm	in	mm	in	mm	in	mm
90-6	3.44	88	0.295	7.5	1.57	40	1.50	38	3.54	90	2.28	58
110-6	4.27	108	0.331	8.4	1.97	50	1.81	46	4.33	110	2.56	65
132-6	5.05	128	0.331	8.4	2.36	60	2.38	60	5.20	132	3.31	84
158-6	5.96	151	0.441	11.2	2.76	70	2.75	70	6.22	158	3.86	98
185-6	6.85	174	0.551	14.0	3.15	80	3.13	80	7.28	185	4.41	112
202-6	7.69	196	0.610	15.5	3.54	90	3.50	90	7.95	202	4.92	125
228-6	8.57	218	0.689	17.5	3.94	100	3.94	100	8.98	228	5.51	140
255-6	9.87	251	0.807	20.5	4.53	115	4.31	110	10.04	255	6.10	155
278-6	10.67	271	0.835	21.2	4.92	125	4.88	124	10.95	278	6.85	174
302-6	11.60	294	0.961	24.4	5.32	135	5.31	135	11.89	302	7.48	190
325-6	12.44	316	1.024	26.0	5.71	145	5.75	145	12.80	325	8.07	205
345-6	13.31	338	1.110	28.2	6.10	155	6.06	155	13.58	345	8.55	217
380-6	14.66	372	1.260	32.0	6.70	170	6.69	170	14.96	380	9.37	238
410-6	15.87	403	1.307	33.2	7.28	185	7.13	180	16.14	410	10.04	255
440-6	16.79	426	1.433	36.4	7.68	195	7.69	195	17.32	440	10.75	273

- Notes: ■ 3 indicates: The maximum bores shown are for cylindrical or taper shafts with keys. For splines and other bore types, contact Lovejoy Technical Support.
 ■ Metric dimensions are rounded to the nearest 'mm' except where otherwise shown.
 ■ Larger sizes available upon request.