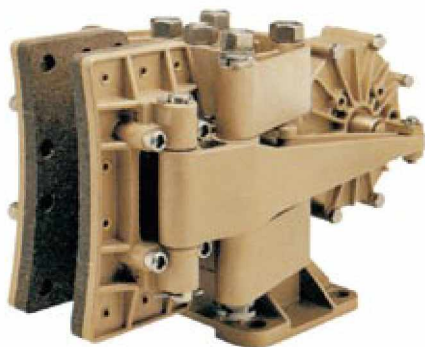


5019-5028 DIE CAST BRAKE CALIPERS

The e caliper are made entirely of die ca t silicone bronze with tainle teel hardware. The tandard lining applied i a be to -free with a co-efficient of friction between .45 to .55. Patented balancing link are u ed to en ure even lining wear. All caliper are available with him between the hoe and the bearing to adapt to thinner di c . Mo t of our actuator are of the low-pre ure type. Air or hydraulic pre ure can be u ed to either apply or relea e the brake. The pre ure applied brake have a maximum pressure of 100 P.S.I. To fully release a spring applied brake is 140 P.S.I. The maximum pressure for a spring applied brake is 250 P.S.I.



5021



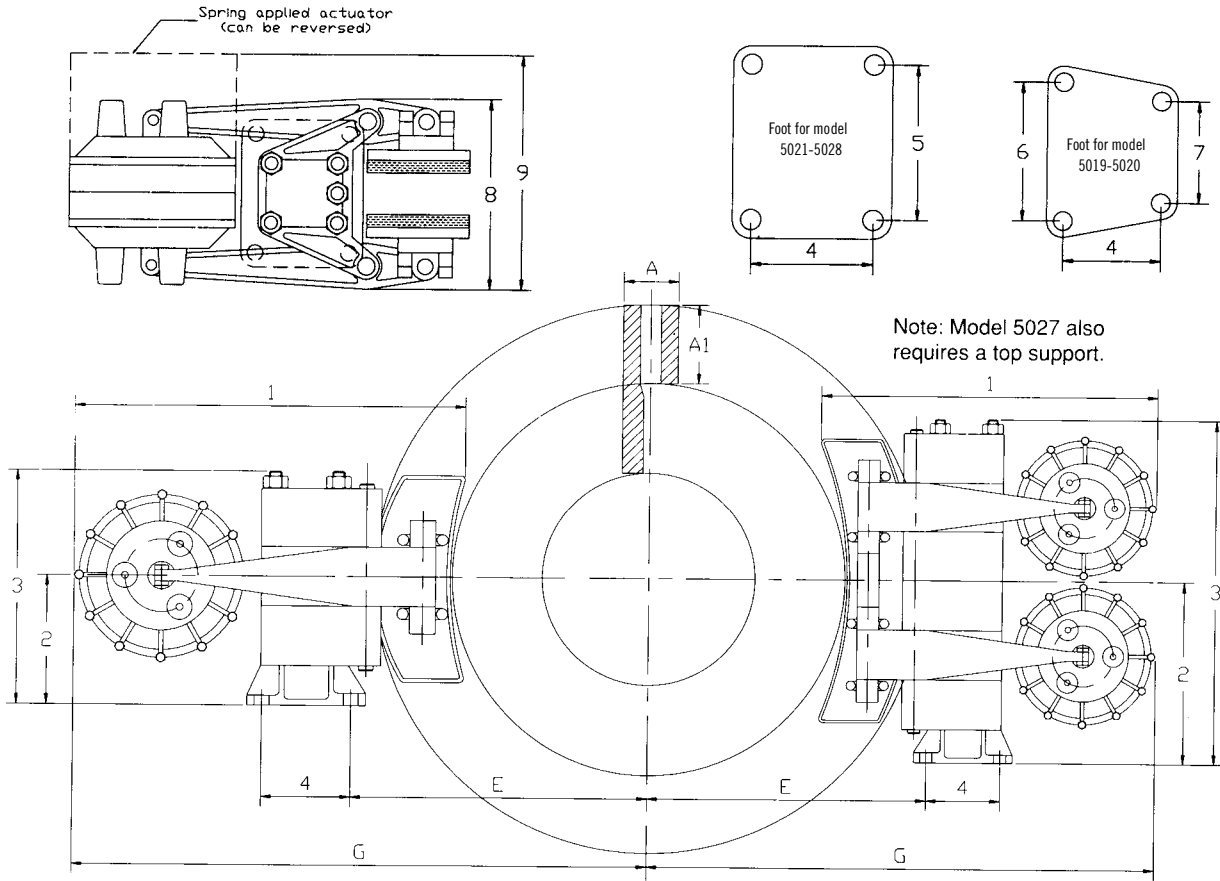
5027

Figure below refer to one brake per di c more brake per di c are available.

Caliper Number	Di c Diameter		Maximum Torque		Dim. E		Dim. G (approx)	
	in.	mm.	ft.-lb .	kg.-m.	in.	mm.	in.	mm.
5019	9	229	764	106	5.56	141	12.06	306
	12	305	1092	151	7.06	179	13.56	344
	15	381	1420	196	8.56	217	15.06	383
	18	457	1748	242	10.06	256	16.56	421
	20	508	1969	272	11.06	281	17.56	446
5020	12	305	1805	250	7.25	184	17.25	438
	15	381	2375	328	8.75	222	18.75	476
	18	457	2945	407	10.25	260	20.25	514
	21	533	3515	486	11.75	298	21.75	552
	24	610	4085	565	13.25	337	23.25	591
	27	686	4655	644	14.75	375	24.75	629
	30	762	5225	722	16.25	413	26.25	667
5021	18	457	2660	368	9.75	248	19.50	495
	20	508	3040	420	10.75	273	20.50	521
	25	635	3990	552	13.25	337	23.00	584
	30	762	4940	683	15.75	400	25.50	648
	35	889	5890	814	18.25	464	28.00	711
	40	1016	6840	946	20.75	527	30.50	775
	45	1143	7790	1077	23.25	591	33.00	838
	50	1270	8740	1208	25.75	654	35.50	902
5022*	18	457	5320	736	9.37	238	19.12	486
	20	508	6080	841	10.37	263	20.12	511
	25	635	7980	1103	12.87	327	22.62	575
	30	762	9880	1366	15.37	390	25.12	638
	35	889	11780	1629	17.87	454	27.62	702
	40	1016	13680	1891	20.37	517	30.12	765
	45	1143	15580	2154	22.87	581	32.62	829
	50	1270	17480	2417	25.37	644	35.12	892
5023	18	457	4664	645	9.75	248	20.63	524
	20	508	5328	737	10.75	273	21.63	549
	25	635	7000	968	13.25	337	24.13	613
	30	762	8664	1198	15.75	400	26.63	676
	35	889	10336	1429	18.25	464	29.13	740
	40	1016	12000	1659	20.75	527	31.63	803
	45	1143	13664	1889	23.25	591	34.13	867
	50	1270	15336	2120	25.75	654	36.63	930
5024	18	457	7507	1038	10.12	257	24.12	613
	20	508	8580	1186	11.12	282	25.12	638
	25	635	11261	1557	13.62	346	27.62	702
	30	762	13942	1928	16.12	409	30.12	765
	35	889	16624	2298	18.52	470	32.62	829
	40	1016	19305	2669	21.12	536	35.12	892
	45	1143	21986	3040	23.62	600	37.62	956
	50	1270	24668	3410	26.12	663	40.12	1019
5025	30	762	8230	1138	15.42	392	27.92	709
	35	889	10038	1388	17.92	455	30.42	773
	40	1016	11754	1625	20.42	519	32.92	836
	48	1219	14678	2029	24.42	620	36.92	938
5026*	30	762	15360	2124	15.14	385	27.14	689
	35	889	18720	2588	17.64	448	29.64	753
	40	1016	21920	3031	20.14	512	32.14	816
	48	1219	27360	3783	24.14	613	36.14	918
5027*	30	762	26000	3595	16.00	406	29.50	749
	35	889	31000	4286	18.50	470	32.00	813
	40	1016	36000	4977	21.00	533	34.50	876
	45	1143	41000	5668	23.50	597	37.00	940
	50	1270	46000	6360	26.00	660	39.50	1003
5028*	42.5	1080	30500	4217	21.0	533	34.6	879
	48.5	1232	36500	5046	24.0	610	37.6	955
	54.5	1384	42500	7233	27.0	686	40.6	1031
	60.5	1537	48500	6705	30.0	762	43.6	1107
	72.0	1829	60000	8295	36.0	914	49.6	1260
	84.0	2134	72000	9955	42.0	1067	55.6	1412
	96.0	2438	84000	11614	48.0	1219	61.6	1565

* Brake 5022, 5026, 5027 and 5028 have alloy teel tie rod .

CALIPER DIMENSIONS AND SPECIFICATIONS



Models: 5019, 5020, 5021, 5023, 5024, 5025

Model : 5022, 5026, 5027, 5028

Caliper Number	Clamp Force*		All Dimension in Inche										
	lbs.	kg.	A	A1	1	2	3	4	5	6	7	8	9
5019	5250	2381	0.75	2.00	9.87	3.00	5.56	2.18	n/a	3.00	1.87	4.81	6.56
5020	9160	4155	1.25	2.75	14.00	4.00	7.62	3.12	n/a	3.75	2.75	6.50	8.12
5021	9160	4155	2.00	4.25	14.81	4.75	7.50	3.75	5.50	n/a	n/a	7.75	8.75
5022	18320	8310	2.00	4.25	15.25	8.00	15.25	3.75	5.50	n/a	n/a	7.75	8.75
5023	16000	7256	2.00	4.25	16.00	4.85	9.00	3.75	5.50	n/a	n/a	9.00	12.00
5024	25740	11673	2.00	4.25	19.12	6.50	11.87	4.50	5.75	n/a	n/a	9.50	11.50
5025	17160	7784	4.00	7.00	20.63	6.50	11.87	4.75	7.50	n/a	n/a	11.00	12.70
5026	32000	14512	4.00	7.00	20.75	9.50	18.25	4.75	7.50	n/a	n/a	11.00	12.70
5027	48000	21769	2.00	4.25	20.12	9.50	18.37	4.50	5.75	n/a	n/a	9.50	11.50
5028	48000	21769	4.00	10.00	25.63	12.75	24.23	5.20	7.00	n/a	n/a	11.94	13.35

All model are al o available in a idemount configuration.

* Clamping force for fluid and pring applied caliper are the ame.

** Weight are for pring applied caliper , fluid applied caliper weigh approx. 12% le .