

Multi-axis controller

V8 / VV8



The multi-axis controller V8/VV8 is available in either single-axis or multi-axis options and is a robust controller used commonly in electro-hydraulic applications. With many output options including voltage, amperage and switch contacts and many handle options the V8 / VV8 series is hugely customisable. The V8 / VV8 is resistant to oil, maritime conditions e.g. offshore / vessels, UV radiation typically from the sun.

Technical data

Mechanical life V8	10 million operating cycles
Mechanical life VV8	20 million operating cycles
Operation temperature	-40°C to +60°C
Storage temperature	-50°C to +80°C
Degree of protection	IP54



	VV8	S5	P	T	-2RP	+3ZP	-B	-A05 P184	+A050 P184	E9012	-X
Basic unit	VV8										
	2-axis, reinforced version										
Control-handle extended											
	Standard										
S5											
	-20 mm										
S8											
	+20 mm										
	<i>*Only available in combination with handle!</i>										
Gate											
P											
	Cross gate										
P X											
	Special gate										
Grip / palm grip											
T											
	Dead man										
Axis 1											
2											
	Contacts										
R											
	Friction brake										
P											
	Potentiometer										
Axis 2											
3											
	Contacts										
Z											
	Spring return										
P											
	Potentiometer										
Cover housing											
B											
	Cover housing										
Description axis 1 (direction 1-2)											
A050											
	Arrangement MSP21-0										
P184											
	Potentiometer T301 2 x 5 kOhm										
Description axis 2 (direction 3-4)											
A05											
	Arrangement MSP21										
P184											
	Potentiometer T301 2 x 5 kOhm										
Interface (description see on the following pages)											
E9012											
	Potentiometer output for proportional valve PVG32										
Special model											
X											
	Special / customer specified										

Technical details may vary based on configuration or application! Technical data subject to change without notice!

Multi-axis controller V8 / VV8

Combination possibilities with our handles



1

VV8 S5 P T -2 R P + 3 Z P -B - A05 P184 + A050 P184 E9012 - X

	VV8	S5	P	T	-2	R	P	+	3	Z	P	-B	-	A05	P184	+	A050	P184	E9012	-	X
Basic unit																					
V81 1-axis																					
V8 2-axis																					
reinforced version																					
VV81 1-axis																					
VV8 2-axis																					
Control-handle extended																					
S5 -20 mm																					
S8 +20 mm																					
Gate																					
P Cross gate																					
P X Special gate																					
Grip/ palm grip																					
Knob (included in basic unit!)																					
M Mechanical zero interlock																					
MH Mechanical zero interlock + signal contact																					
T Dead man																					
H Signal button																					
D Push button																					
DV Flush push button																					
B... Palm grip B... (see page palm grip 151)																					
Axis 1: direction 1-2																					
1 1 contact																					
2 2 contacts																					
3 3 contacts																					
Z Spring return																					
R Friction brake only possible with VV8!																					

Technical details may vary based on configuration or application! Technical data subject to change without notice!

(P)	Mounting options for potentiometer		
P	Potentiometer	P181	T301 2 x 0,5 kOhm max. 1 mA
		P182	T301 2 x 1 kOhm max. 1 mA
		P183	T301 2 x 2 kOhm max. 1 mA
		P184	T301 2 x 5 kOhm max. 1 mA
		P185	T301 2 x 10 kOhm max. 1 mA
		<i>More potentiometers on request!</i>	
H	Hall-Potentiometer	E14811	0,5...2,5...4,5 V / 4,5 V...2,5...0,5

If both axis identical, it's enough to describe one axis!

Example: ...A05P43 + A05P43 => A05P43

VV8 S5 P T -2 R P + 3 Z P -B - A05 P184 + A050 P184 E9012 - X

Axis 2: direction 3-4 (not applied for V81/VV81)

1	1 contact	Standard contact - arrangement see page 135	
2	2 contacts	e.g.	
3	3 contacts	A98	MS0 Zero position contact
		A05	MS21 Direction contacts
		A050	MS21-0 Direction contacts + zero position contact
Z	Spring return		
R	Friction brake only possible with VV8!		
(P)	Mounting options for potentiometer		
P	Potentiometer	P181	T301 2 x 0,5 kOhm max. 1 mA
		P182	T301 2 x 1 kOhm max. 1 mA
		P183	T301 2 x 2 kOhm max. 1 mA
		P184	T301 2 x 5 kOhm max. 1 mA
		P185	T301 2 x 10 kOhm max. 1 mA
		<i>More potentiometers on request!</i>	
H	Hall-Potentiometer	E14811	0,5...2,5...4,5V/4,5V...2,5...0,5

VV8 S5 P T -2 R P + 3 Z P -B - A05 P184 + A050 P184 E9012 - X

Cover housing

B	Cover housing
---	---------------

Interface

	Potentiometer output	
E901	Potentiometer output for proportional valve PVG32	
	0,25...0,5...0,75 Us	
1		1 axis
2		2 axis
3		3 axis
4		4 axis

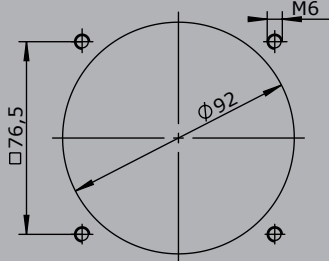
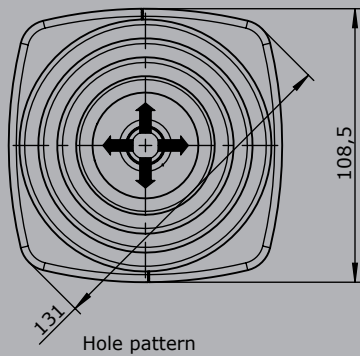
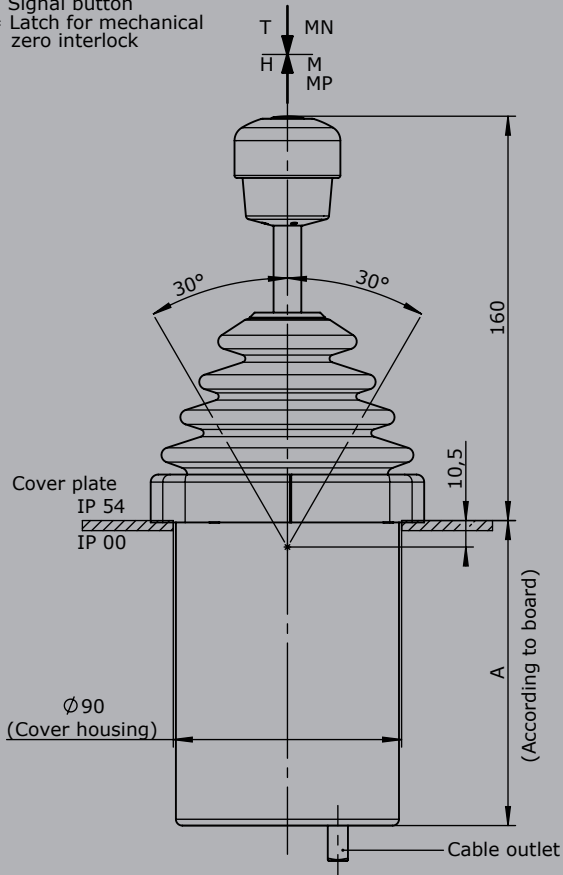
Special model

X	Special / customer specified
---	------------------------------

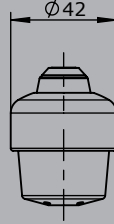
Multi-axis controller V8 / VV8

1

T = Dead man's button
H = Signal button
M = Latch for mechanical zero interlock

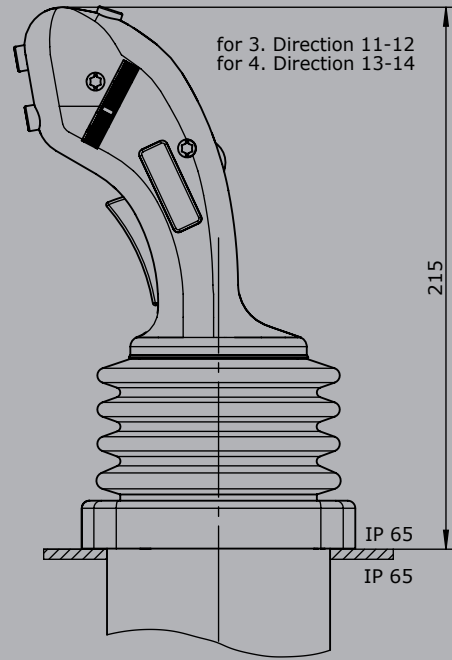


Knob solid
D = Push button



Palm grip B3

for 3. Direction 11-12
for 4. Direction 13-14



Palm grip B25

