

DESCH Servox® BRAKE



The DESCH Servox® - Brake



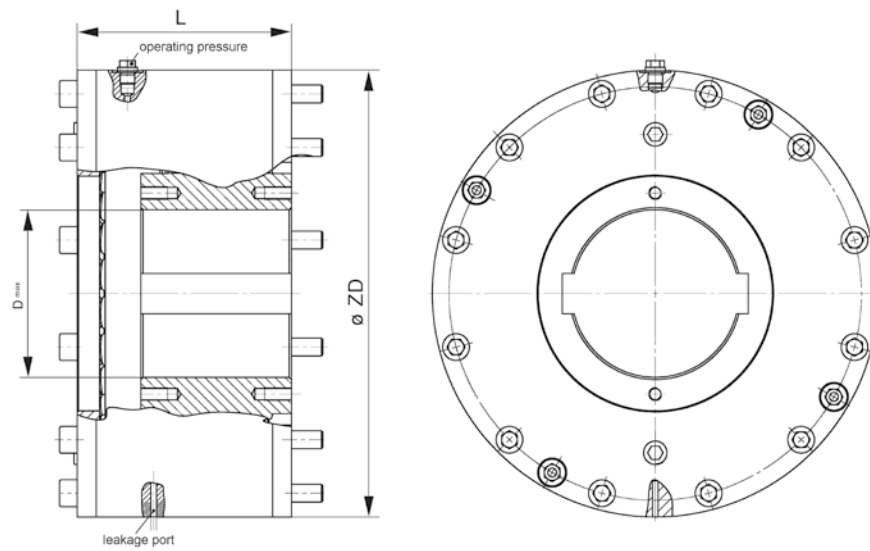
Description

- Static holding brake with emergency stop funktion
- Hydraulically released, spring applied
- Outer diameter same as competitive brakes, length different
- Friction material organic / steel liners, dry running
- Low inner mass moment of inertia
- Free of friction corrosion
- For all common hub-shaft-connections, e.g. feather key, spline, clamping device

Field of application

- Mechanical servo presses
- Generally in application as static holding brake, if applicable as dynamic safety brake

Technical Data



Servox® size		345	400	480
fit diameter ZD	mm	345 f7	400 f7	480 f7
bore D max.	mm	130	155	190
length L	mm	181	192	192
torque rate static	Nm	11 000	19 000	30 000
torque rate dynamic	Nm	9000	15 500	25 000
operating pressure max.	bar	320	320	320
release pressure min.	bar	50	50	50