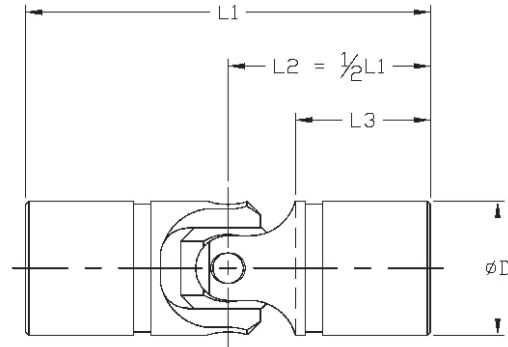


Single Universal Joints

- High grade-alloy steel
- Standard operating angles up to 45°
- Wide selection of hub configurations and finishes

The Belden single pin & block universal joint is manufactured from high-grade alloy steel for increased durability and better performance than standard industrial-grade models. All components are heat treated, precision machined and ground to close tolerances. The Heavy Duty, High Strength or Leveler Strength universal joint provides exceptional service life in the most demanding applications. All joints are available with or without a lubricant retaining boot.



Boot grooves are standard. Parts without grooves available upon request.

Heavy Duty Joints standard operating angle 45°

Part No.	Nominal Size	ØD in [mm]	L1 in [mm]	L3 in [mm]	Ultimate Torque lb-in [Nm]	Max. Operating Torque lb-in [Nm]
UJ-HD375x00	3/8"	0.370 [9.40]	1.75 [44.5]	0.67 [17.1]	100 [11.3]	20 [2.3]
UJ-HD500x00	1/2"	0.495 [12.57]	2.00 [50.8]	0.74 [18.7]	350 [39.5]	70 [7.9]
UJ-HD625x00	5/8"	0.620 [15.75]	2.25 [57.2]	0.81 [20.6]	675 [76.3]	135 [15.2]
UJ-HD750x00	3/4"	0.745 [18.92]	2.69 [68.3]	0.95 [24.1]	1250 [141.1]	250 [28.2]
UJ-HD875x00	7/8"	0.870 [22.10]	3.00 [76.2]	1.03 [26.2]	1750 [197.7]	350 [39.5]
UJ-HD1000x00	1"	0.995 [25.27]	3.38 [85.7]	1.19 [30.2]	2250 [254.2]	450 [50.8]
UJ-HD1125x00	1-1/8"	1.120 [28.45]	3.50 [88.9]	1.22 [30.9]	3250 [366.9]	650 [73.4]
UJ-HD1250x00	1-1/4"	1.245 [31.62]	3.75 [95.3]	1.25 [31.8]	5200 [587.1]	1040 [117.5]
UJ-HD1500x00	1-1/2"	1.495 [37.97]	4.25 [108.0]	1.40 [35.6]	10000 [1129.8]	2000 [225.9]
UJ-HD1750x00	1-3/4"	1.745 [44.32]	5.00 [127.0]	1.60 [40.6]	14500 [1637.0]	2900 [327.4]
UJ-HD2000x00	2"	1.995 [50.67]	5.50 [139.7]	1.70 [43.2]	21500 [2429.2]	4300 [485.5]

High Strength Joints standard operating angle 45°

UJ-HS500	1/2"	0.495 [12.57]	2.00 [50.8]	0.74 [18.7]	475 [53.7]	95 [10.7]
UJ-HS625	5/8"	0.620 [15.75]	2.25 [57.2]	0.81 [20.6]	950 [107.3]	190 [21.5]
UJ-HS750	3/4"	0.745 [18.92]	2.69 [68.3]	0.95 [24.1]	1750 [197.7]	350 [39.5]
UJ-HS875	7/8"	0.870 [22.10]	3.00 [76.2]	1.03 [26.2]	2500 [282.4]	500 [56.5]
UJ-HS1000	1"	0.995 [25.27]	3.38 [85.7]	1.19 [30.2]	4500 [508.4]	900 [101.7]
UJ-HS1125	1-1/8"	1.120 [28.45]	3.50 [88.9]	1.22 [30.9]	5500 [621.5]	1100 [124.3]
UJ-HS1250	1-1/4"	1.245 [31.62]	3.75 [95.3]	1.25 [31.8]	6800 [768.2]	1360 [153.7]
UJ-HS1500	1-1/2"	1.495 [37.97]	5.25 [133.4]	1.90 [48.3]	12500 [1412.1]	2500 [282.5]
UJ-HS1750	1-3/4"	1.745 [44.32]	6.25 [158.8]	2.23 [56.5]	16000 [1807.8]	3200 [361.6]
UJ-HS2000	2"	1.995 [50.67]	6.00 [152.4]	1.95 [49.5]	26000 [2937.6]	5200 [587.5]
UJ-HS2500	2-1/2"	2.495 [63.37]	8.50 [215.9]	2.84 [72.6]	32000 [3615.5]	6400 [723.1]
UJ-HS3000	3"	2.995 [76.07]	9.25 [235.0]	3.00 [76.2]	55000 [6214.2]	11000 [1242.8]

Leveler Style Joints standard operating angle 30° (Except those marked * where maximum operating angle is 25°)

UJ-LV1500	1-1/2"	1.495 [37.97]	5.50 [139.7]	1.97 [49.8]	15000 [1694.8]	3000 [339.0]
UJ-LV1750	1-3/4"	1.745 [44.32]	6.25 [158.8]	2.23 [56.5]	17500 [1974.9]	3500 [395.5]
UJ-LV2000	2"	1.995 [50.67]	6.00 [152.4]	1.97 [50.0]	28000 [3163.6]	5600 [632.7]
UJ-LV2500*	2-1/2"	2.495 [63.37]	8.50 [215.9]	3.00 [76.2]	50000 [5649.3]	10000 [1129.9]
UJ-LV3000*	3"	2.995 [76.07]	9.25 [235.0]	3.00 [76.2]	70000 [7909.0]	14000 [1581.8]
UJ-LV3500*	3-1/2"	3.495 [88.77]	10.75 [273.1]	3.63 [92.1]	100000 [11298.5]	20000 [2259.7]
UJ-LV4000*	4"	3.995 [101.47]	13.25 [336.6]	4.50 [114.3]	140000 [15817.9]	28000 [3163.6]

Metric values shown for reference only